

# ER8-1300

**EFORT**

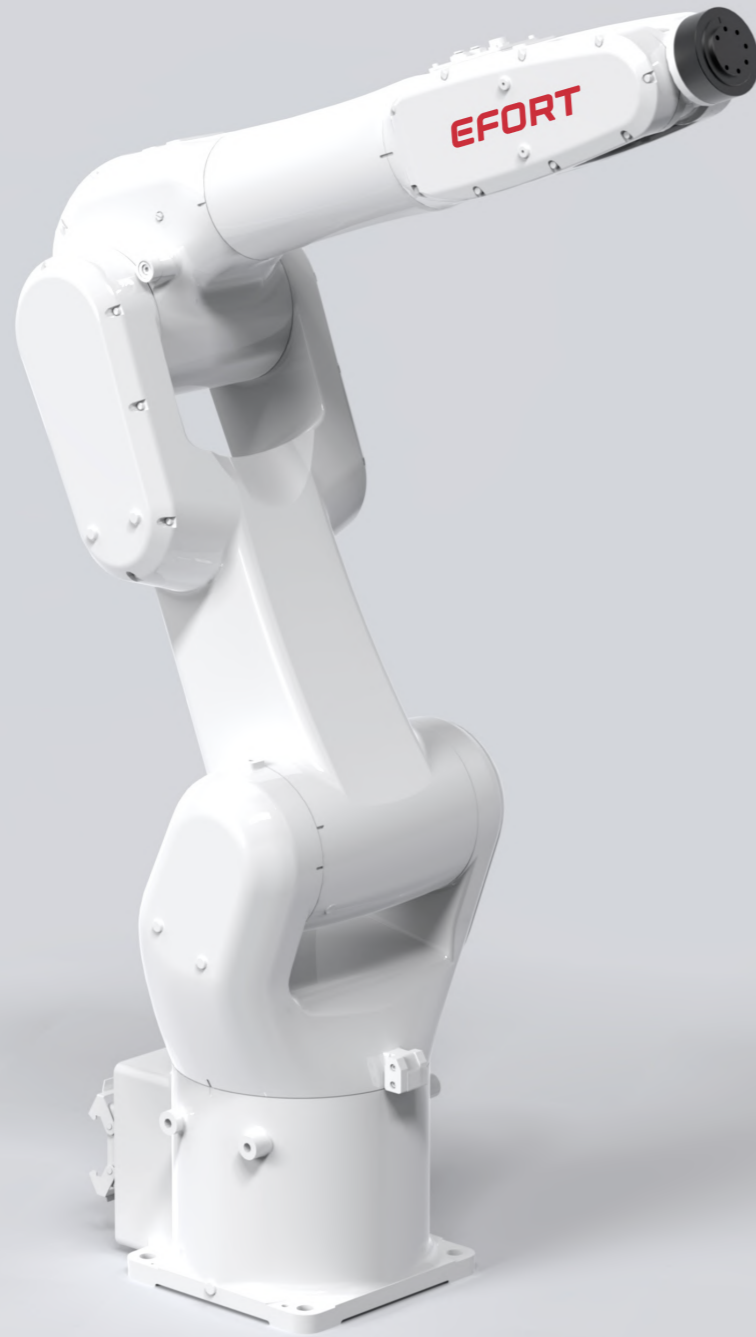
ER8-1300,  
Maxium payload 8 kg with maxium reach 1291 mm.

■ **Applications**

It can be used in handling operations(machine tending), sorting, assembling, grinding, polishing, Arc welding, etc.

■ **Industries**

Suitable for PCB, 3C, plastic, metal parts and other industries.

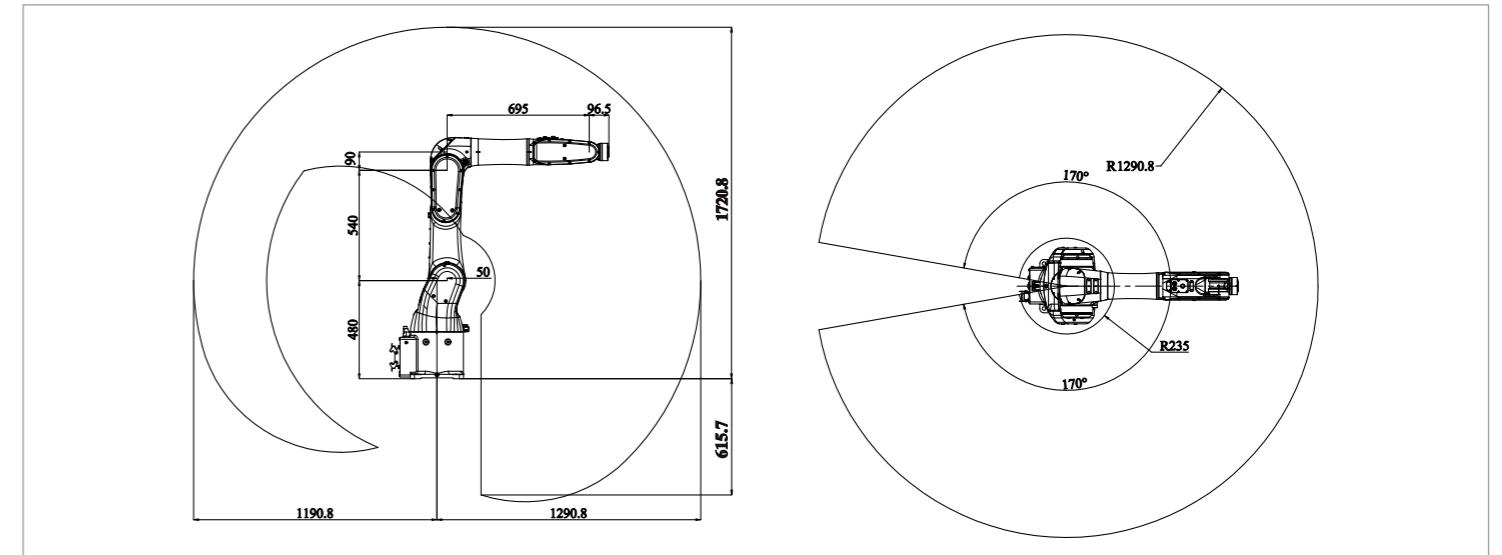


## SPECIFICATIONS

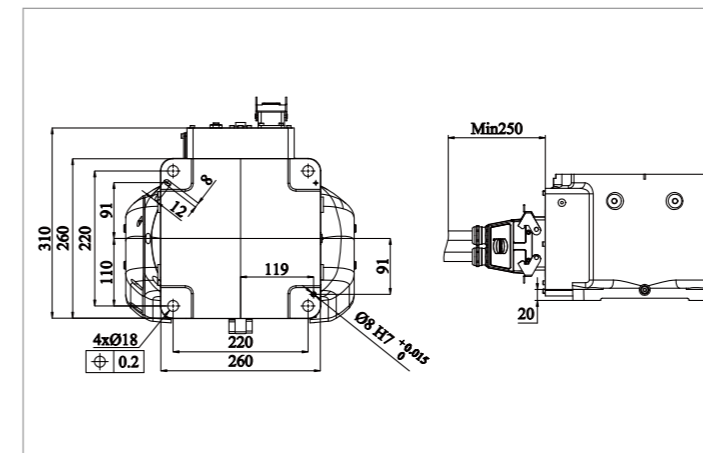
<b>Model</b>	ER8-1300	
<b>Type</b>	Articulated	
<b>Controlled axes</b>	6 Axes	
<b>Max. payload on wrist</b>	8 kg	
<b>Repeatability</b>	±0.03 mm	
<b>Robot weight</b>	80 kg	
<b>Reach</b>	1291 mm	
<b>Robot IP grade</b>	IP65 / IP67 ( Wrist )	
<b>Cabinet IP grade</b>	IP20 / IP54 ( Optional )	
<b>Drive mode</b>	AC servo drive	
<b>Installation</b>	Floor, Upside-down, Wall	
<b>Installation enviroment</b>	<b>Ambient temperature</b>	0~45 °C
	<b>Ambient humidity</b>	RH≤80% ( No dew nor frost allowed )
	<b>Vibration acceleration</b>	4.9 m/s <sup>2</sup> ( <0.5 G )

<b>Allowable load moment at wrist</b>	<b>J4</b>	25 N · m
	<b>J5</b>	25 N · m
	<b>J6</b>	12 N · m
<b>Allowable load inertia at wrist</b>	<b>J4</b>	0.78 kg · m <sup>2</sup>
	<b>J5</b>	0.78 kg · m <sup>2</sup>
	<b>J6</b>	0.3 kg · m <sup>2</sup>
<b>Maximum speed</b>	<b>J1</b>	230°/sec
	<b>J2</b>	190°/sec
	<b>J3</b>	240°/sec
	<b>J4</b>	500°/sec
	<b>J5</b>	420°/sec
	<b>J6</b>	720°/sec
<b>Motion range</b>	<b>J1</b>	± 170°
	<b>J2</b>	+100°/-130°
	<b>J3</b>	+193°/-75°
	<b>J4</b>	± 190°
	<b>J5</b>	± 120°
	<b>J6</b>	± 360°

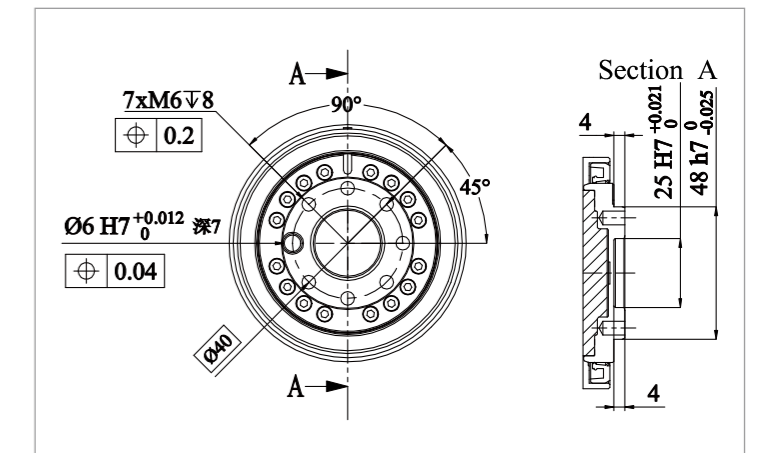
## OPERATING SPACE



## BASE MOUNTING SIZE



## END FLANGE MOUNTING SIZE



**EFORT INTELLIGENT EQUIPMENT CO.,LTD.**

PHONE: (00 86) 400-052-8877

ADDRESS: No.96 East Wanchun Road, China(Anhui) Pilot Free Trade Zone Wuhu Area, Wuhu, Anhui Province, China

WWW.EFORT.COM.CN