

# Mini Robot

# ER7-700

ER7-700 is a mini robot.  
Maxium payload 7 kg with maxium reach 713 mm.

### Highlights

High protection level IP65 of the robor body help customers easy to face dusty, oil misty, high humidity and other harsh environment; Thanks to the high stiffness transmission design and advanced trajectory algorithm, the improved robot accuracy performance helps customers to face variety of application scenarios.

### Applications

It can be widely used in handling, sorting, assembly, painting and other applications.

### Industries

Suitable for 3C, food and beverage, metal parts, education, plastic, pharmaceutical and other industries.



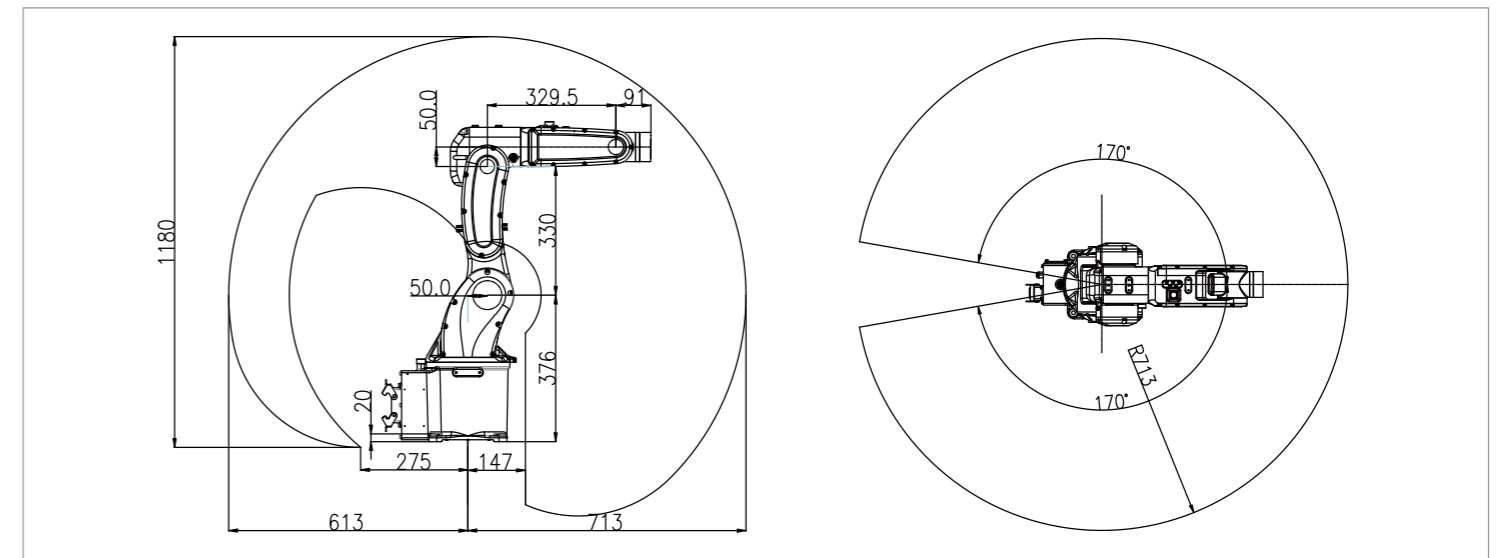
# EFORT

## SPECIFICATIONS

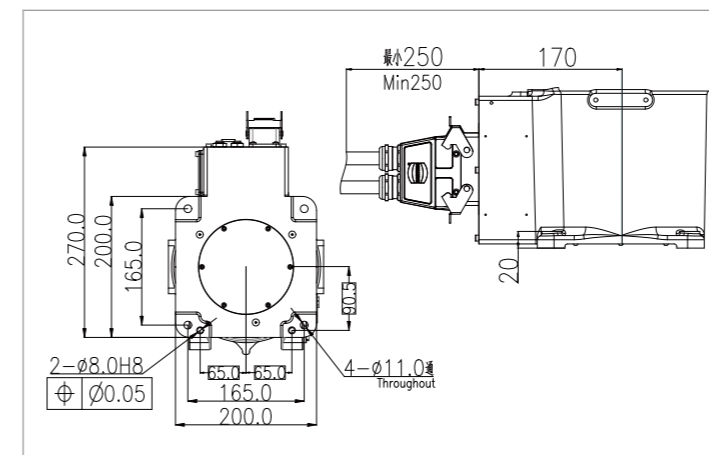
<b>Model</b>	ER7-700	
<b>Type</b>	Articulated Type	
<b>Controlled Axes</b>	6 Axes	
<b>Wrist Payload</b>	7 kg	
<b>Repeatability</b>	±0.02 mm	
<b>Robot Weight</b>	36 kg	
<b>Reach</b>	713 mm	
<b>Robot IP Grade</b>	IP65/IP67 ( Wrist )	
<b>Cabinet IP Grade</b>	IP20	
<b>Drive Method</b>	Electric servo drive by AC servo motor	
<b>Installation</b>	Floor, Upside-down, Wall mount	
<b>Environment Requirements</b>	<b>Ambient Temperature</b>	0~45 °C
	<b>Humidity</b>	< 80%/40°C ( No Condensation )
	<b>Vibration Acceleration</b>	4.9 m/s <sup>2</sup> ( <0.5 G )

<b>Allowable Torque</b>	<b>J4</b>	16 N.m
	<b>J5</b>	16 N.m
	<b>J6</b>	9 N.m
<b>Allowable Moment of Inertia</b>	<b>J4</b>	0.45 kg.m <sup>2</sup>
	<b>J5</b>	0.45 kg.m <sup>2</sup>
	<b>J6</b>	0.14 kg.m <sup>2</sup>
<b>Maximum Speed</b>	<b>J1</b>	380°/sec
	<b>J2</b>	350°/sec
	<b>J3</b>	400°/sec
	<b>J4</b>	450°/sec
	<b>J5</b>	450°/sec
	<b>J6</b>	720°/sec
<b>Motion Range</b>	<b>J1</b>	± 170°
	<b>J2</b>	+80°/- 135°
	<b>J3</b>	+195°/-70°
	<b>J4</b>	± 190°
	<b>J5</b>	± 120°
	<b>J6</b>	± 360°

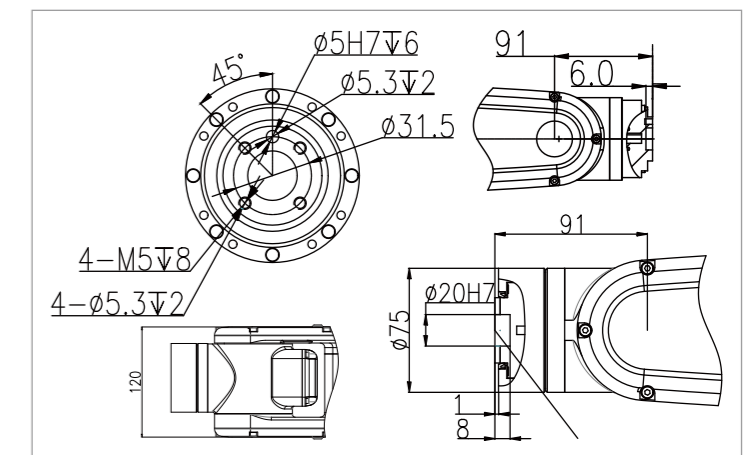
## OPERATING SPACE



## BASE MOUNTING SIZE



## END FLANGE MOUNTING SIZE



**EFORT INTELLIGENT EQUIPMENT CO.,LTD.**

PHONE: (00 86) 400-052-8877  
ADDRESS: No.96 East WanChun Road, JiuJiang Economic Development Zone, Wuhu, Anhui, China  
WWW.EFORT.COM.CN